



December 10, 2019

Doug,

The following should be visually inspected to determine the cause of the noise from the fan or its components, during operation. See the two pages from the manual for reference.

Power Module (Page 2 Attached)

1. Inspect fan shaft pillow block bearings to ensure they are tight. Item #8
2. Check the two pulleys to ensure the compression bushings are tight and the pulley is not spinning on the stub shaft or the fan shaft.
3. Inspect Belt for Proper tension. Item #22
4. Inspect engine mounting bolts to ensure they are tight. Item #7

Fan Housing (Page 3 Attached)

1. Inspect fan bushing to ensure its tight. Item #5
2. Inspect fac to ensure spacing to face is tight but not touching. Item #2 meeting #4
3. Inspect fan housing mounting bolts on the back side of the hopper to ensure they are tight. Not Pictured
4. Inspect fan housing back plate, located behind the fan, to ensure bolts are tight. Bolts can be view from outside the fan housing on the engine side. Item #3

Auxiliary Engine

1. Inspect the fan stub shaft coming from the back of the engine, off the flywheel. Check to see if it is loose. This should be tight and balanced with no movement.

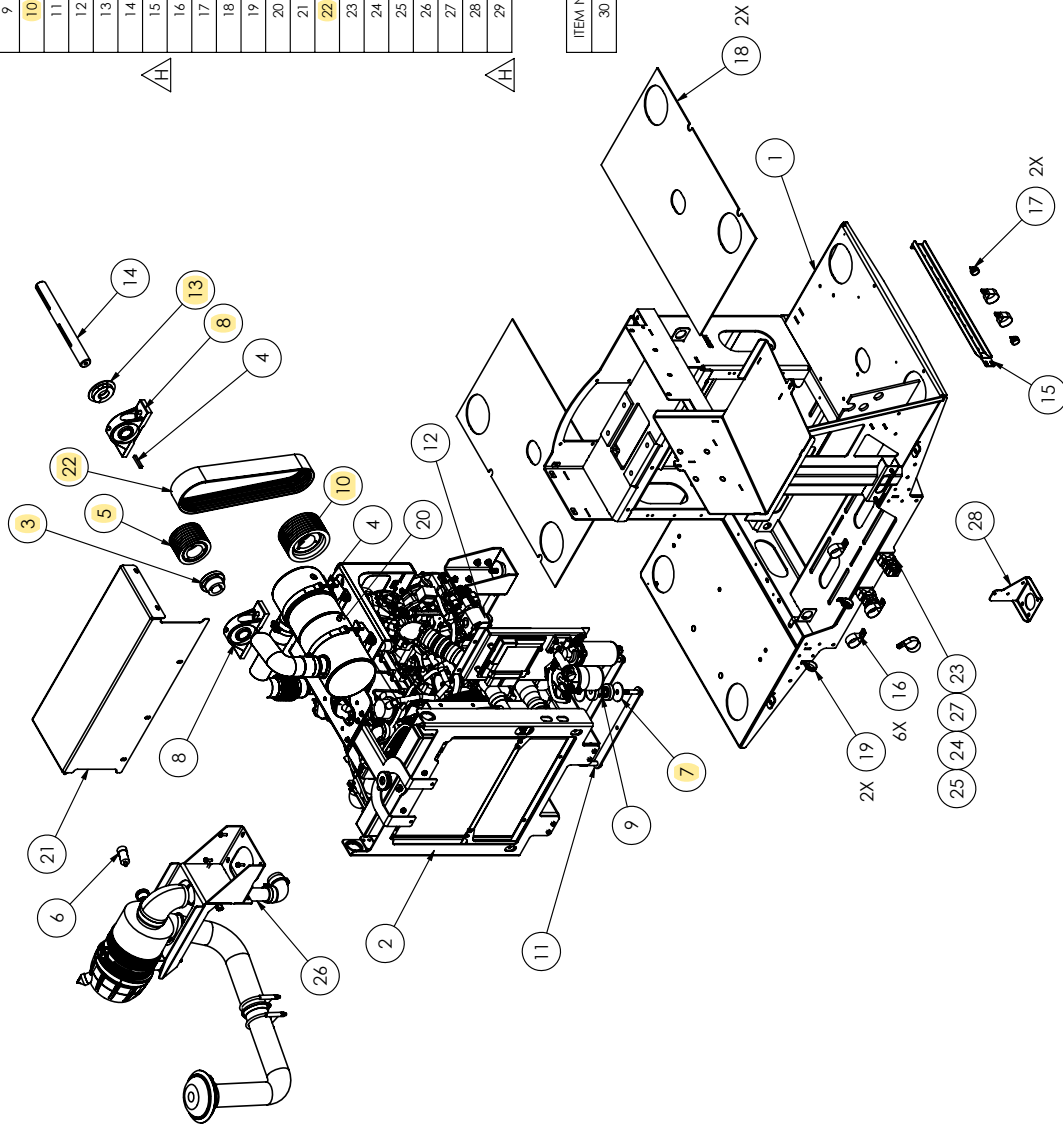
Section 6 - Power Module

204S29 - CUMMINS POWER MODULE ASSY.

ITEM NO	PART NUMBER	DESCRIPTION	QTY.
1	525352	POWER MOD WELD, S350T	1
2	67188	ENGINE, CUMMINS, GSF2.8 T4F	1
3	20495	BUSHING SK-1-1/16" TAPERED	1
4	5213706	KEY, 3/8 X 2-1/2"	2
5	59573	8/3V530 PULLEY SK	1
6	24287	AIR FILTER RESTRICTION INDICAT	1
7	5212556	WASHER RUBBER ISOLATOR 2-7/8	12
8	20492	MPT 27 1-1/16 BEARING	2
9	27644	RUBBER ISOLATOR 440 LBS	12
10	59572	8/3V690 PULLEY SK	1
11	525185	SLIDER BAR, YANMAR	2
12	522808	SLIDE BAR REAR	1
13	522725	SHAFT SLINGER 1-11/16 A-4000	1
14	5211908	FAN SHAFT 17" A-4000	1
15	5223666	BEAM, HOSE RETAINER, S350T	1
16	25092	CLAMP, Z' COATED	6
17	20140	CLAMP, 1.0" RUBBER LINED	2
18	66509	POWER MODULE PAD, S350T, A-4T	2
19	20155	CLAMP, 1.50" RUBBER LINED	2
20	26644	SK 1-1/2" BUSHING	1
21	5223411	BELT GUARD, S350T, PERKINS	1
22	59574	BELT, 8/3VX530	1
23	29469	CLAMP, TWIN TUBE, 3/4 PAIR	2
24	28432	CLAMP, 1/2" TUBE, HALVES, TWIN	2
25	28431	CLAMP, TOP 1/2" HARDLINE	2
26	204R79	KIT, AIR BOX HOSE, A-4T CUMMINS	1
27	67313	CLAMP, TUBE, TWIN, 5/8 OD	2
28	5223261	BKT, HYD FILTER, A-4T, CUMMINS	1
29	67444	PAD, WATER TANK, S350T	1

ITEMS NOT SHOWN

ITEM NO	PART NUMBER	DESCRIPTION	QTY.
30	66740	HARNES, SWEEPER, A-4T/S350T	1



204M11 - FAN HOUSING ASSY.

ITEM NO.	PART NUMBER	DESCRIPTION	QTY.
1	525208	FAN HOUSE WELD, A4AUS, S350	1
2	522361	FAN HOUSING BACK PLATE A4000	1
3	522373	BEARING PORT COVER ASSY	1
4	523353	30", 5-3/8" WHISPER WHEEL FAN	1
5	20478	BUSHING Q1 1-11\16" SPLIT TAPER	1
6	26669	FAN SEAL A4000\3348LE	1
7	28687	ACTUATOR, 4"	1
8	3002200	BLEEDER ACTUATOR SPACER, A4-L	1
9	64825	RUBBER LINER, FAN HSNCG, A4-L	1
10	525207	FAN EXIT, BOLT ON, S350	1
11	64595	CONNECTOR, 2WAY RECPT	1
12	64610	WEDGELOCK, DT, 2POS RECPT	1

